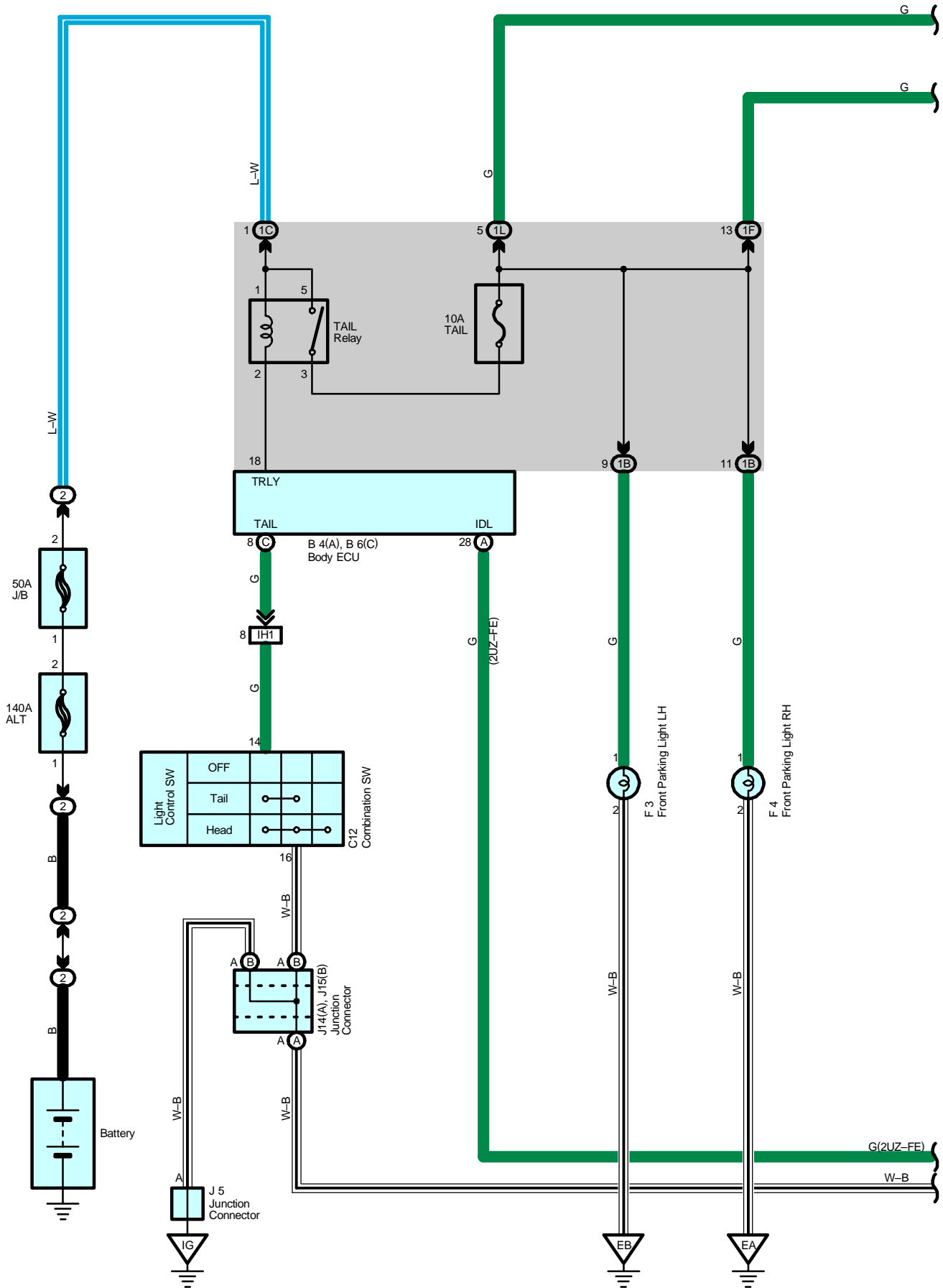
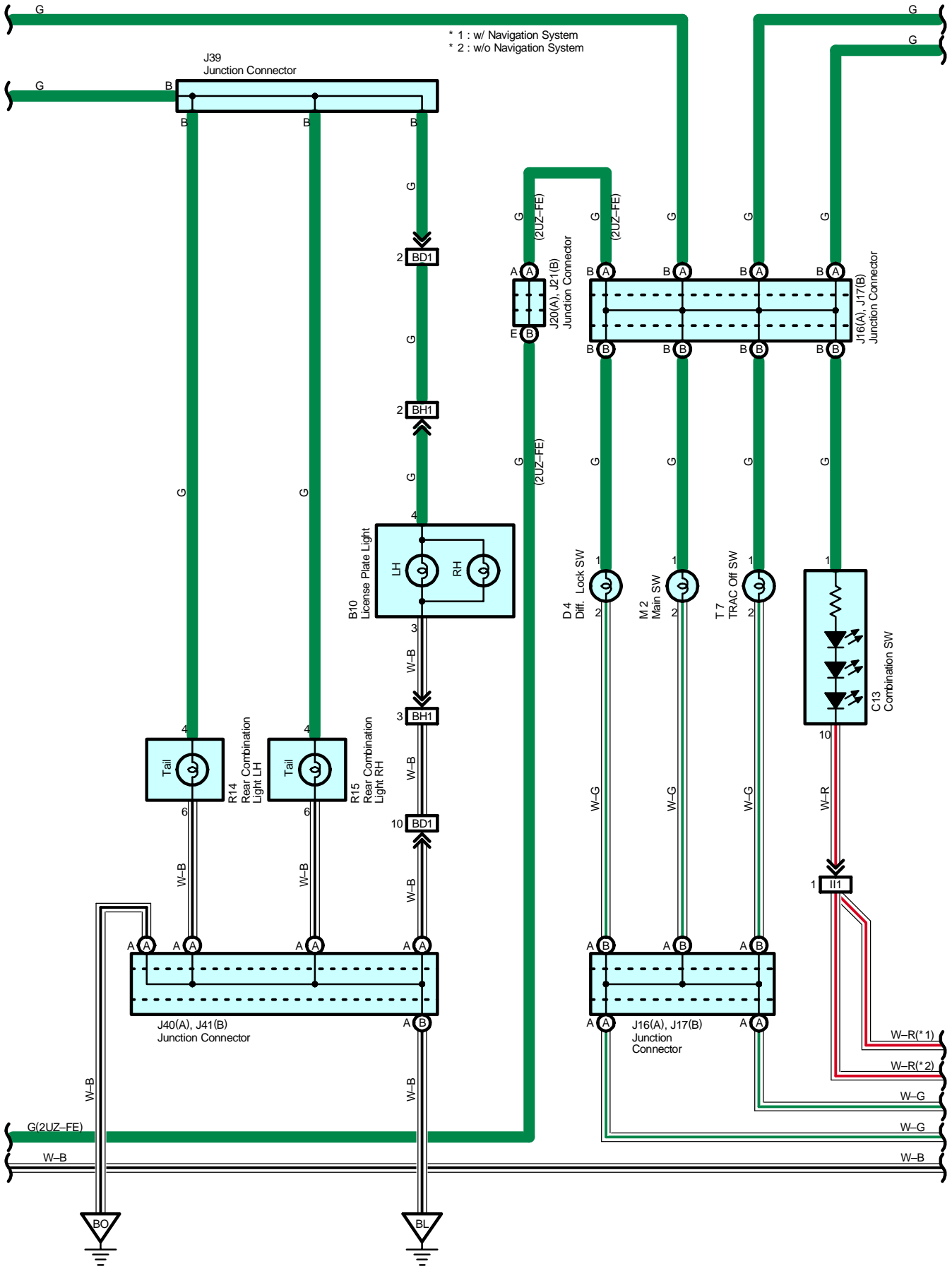
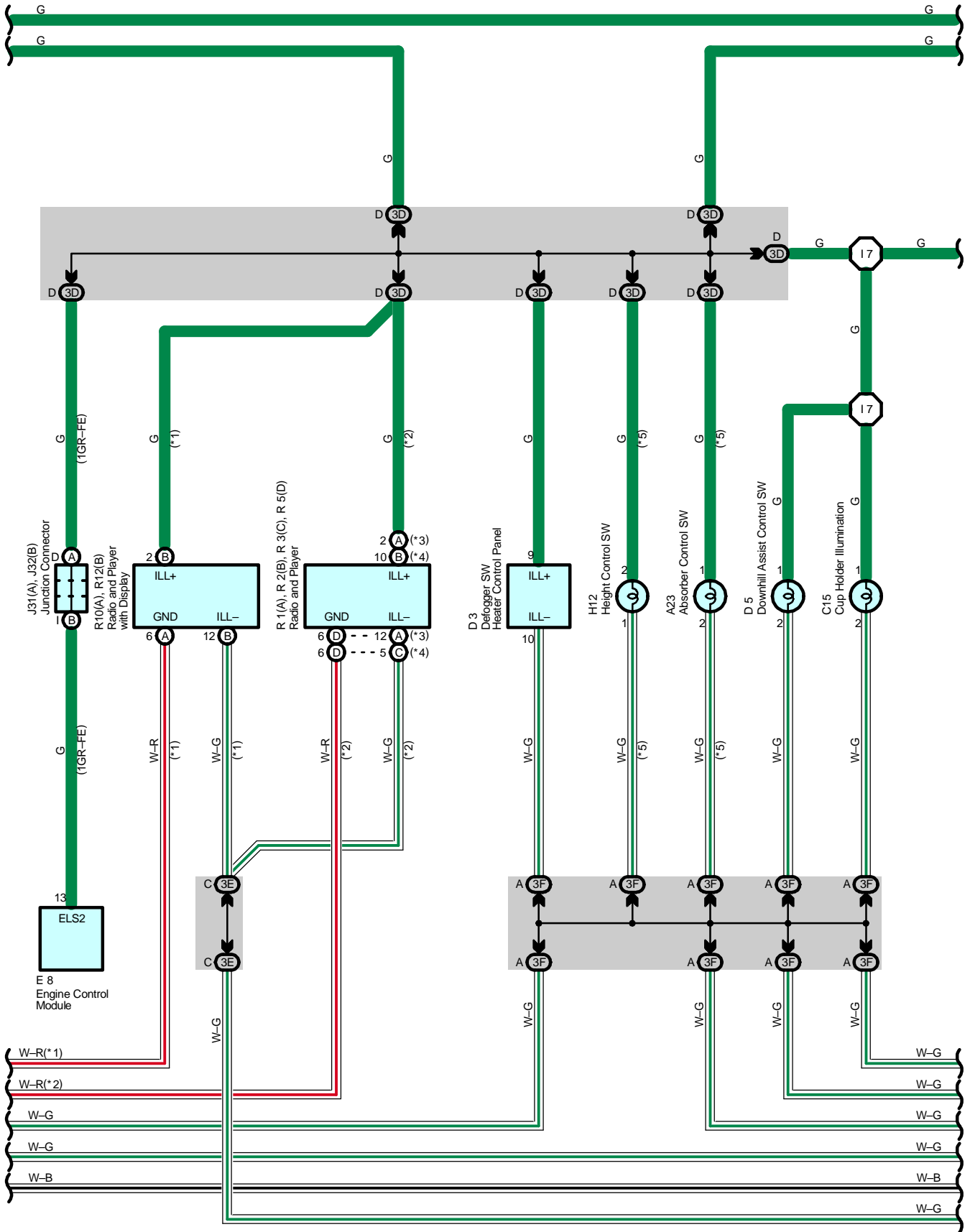


# Taillight and Illumination



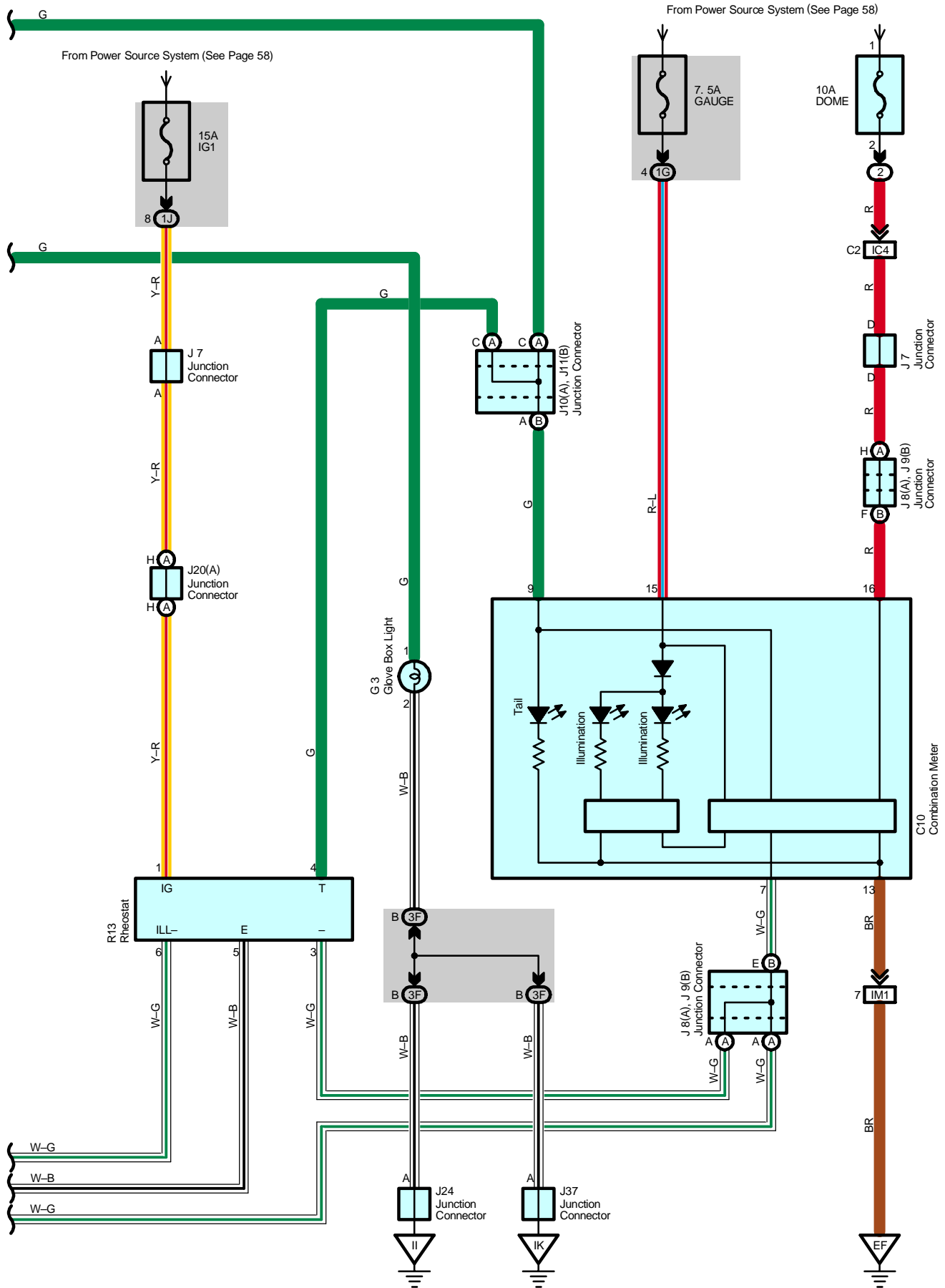


# Taillight and Illumination





# Taillight and Illumination



## Service Hints

### C12 Combination SW

14-16 : Continuity with the light control SW at TAIL or HEAD position

### : Parts Location

Code	See Page	Code	See Page	Code	See Page
A22	36	F4	34 (1GR-FE)	J32	B 38
A23	36	F11	37	J37	38
A38	36	G3	37	J39	40
B1	36	H11	37	J40	A 40
B4	A 36	H12	37	J41	B 40
B6	C 36	J5	38	M2	39
B10	40	J7	38	R1	A 39
C7	37	J8	A 38	R2	B 39
C10	37	J9	B 38	R3	C 39
C12	37	J10	A 38	R5	D 39
C13	37	J11	B 38	R10	A 39
C15	37	J14	A 38	R12	B 39
D3	37	J15	B 38	R13	39
D4	37	J16	A 38	R14	41
D5	37	J17	B 38	R15	41
E8	37	J20	A 38	S4	39
F3	32 (2UZ-FE)	J21	B 38	S5	39
	34 (1GR-FE)	J24	38	T7	39
F4	32 (2UZ-FE)	J31	A 38		

### : Relay Blocks

Code	See Page	Relay Blocks (Relay Block Location)
2	22	Engine Room R/B (Engine Compartment Left)

### : Junction Block and Wire Harness Connector

Code	See Page	Junction Block and Wire Harness (Connector Location)
1B	24	Engine Room Main Wire and Driver Side J/B (Lower Finish Panel)
1C		
1F		
1G	25	Instrument Panel Wire and Driver Side J/B (Lower Finish Panel)
1J		
1L		
3D	28	Instrument Panel Wire and Center J/B (Instrument Panel Brace RH)
3E		
3F		

### : Connector Joining Wire Harness and Wire Harness

Code	See Page	Joining Wire Harness and Wire Harness (Connector Location)
IC4	48	Instrument Panel Wire and Engine Room Main Wire (Left Kick Panel)
IH1	50	Instrument Panel Wire and Instrument Panel Wire (Behind the Combination Meter)
II1	50	Instrument Panel Wire and Instrument Panel Wire (Instrument Panel Brace LH)
IM1	52	Engine Wire and Instrument Panel Wire (Right Side of Blower Unit)
IR1	52	Instrument Panel Wire and Cigarette Wire (Rear Console)
BD1	54	Back Door No.1 Wire and Floor No.2 Wire (Left Rear Side of Roof)
BH1	54	Back Door No.1 Wire and Back Door No.2 Wire (Left Side of Back Door)

# Taillight and Illumination



## : Ground Points

Code	See Page	Ground Points Location
EA	<a href="#">44 (2UZ-FE)</a>	Front Right Fender
	<a href="#">46 (1GR-FE)</a>	
EB	<a href="#">44 (2UZ-FE)</a>	Front Left Fender
	<a href="#">46 (1GR-FE)</a>	
EF	<a href="#">44 (2UZ-FE)</a>	Rear Side of Left Bank Cylinder Block
	<a href="#">46 (1GR-FE)</a>	
IG	<a href="#">48</a>	Left Kick Panel
II	<a href="#">48</a>	Instrument Panel Brace RH
IK	<a href="#">48</a>	Right Kick Panel
BL	<a href="#">54</a>	Floor Seat Crossmember LH
BO	<a href="#">54</a>	Rear Pillar LH



## : Splice Points

Code	See Page	Wire Harness with Splice Points	Code	See Page	Wire Harness with Splice Points
I7	<a href="#">50</a>	Instrument Panel Wire			

